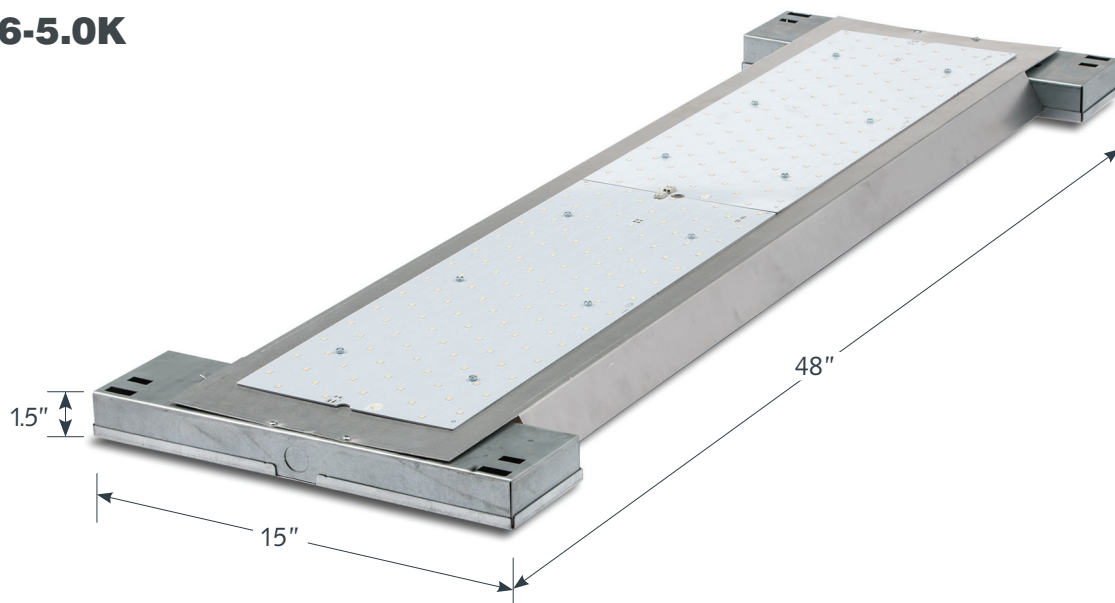


## INSTALLATION INSTRUCTIONS

### I-LED-26-5.0K



#### TO BE AFFIXED TO LUMINAIRE

Manufactured by Alimalight LLC • Madison Heights, MI

Manufacturers Number: **I-LED-26-5.0K**

#### DRY LOCATIONS ONLY

TO BE INSTALLED BY A QUALIFIED ELECTRICIAN ONLY IN ACCORDANCE WITH THE APPLICABLE INSTALLATION CODE BY A PERSON FAMILIAR WITH THE CONSTRUCTION AND OPERATION OF THE PRODUCT AND THE HAZARDS INVOLVED IN ACCORDANCE WITH THE FULL UL 1598 STANDARD AND THE FOLLOWING:

#### CLASS 1 WIRING ONLY

##### ELECTRICAL RATINGS:

Unless otherwise indicated, input voltage and frequency based on transformer and/or drivers employed, with input current and/or wattage based on transformer or sum of drivers employed.  
90-305 V, 50/60 HZ, 1.3 MAX A

#### INSTALLATION INSTRUCTIONS

##### DRY LOCATIONS ONLY:

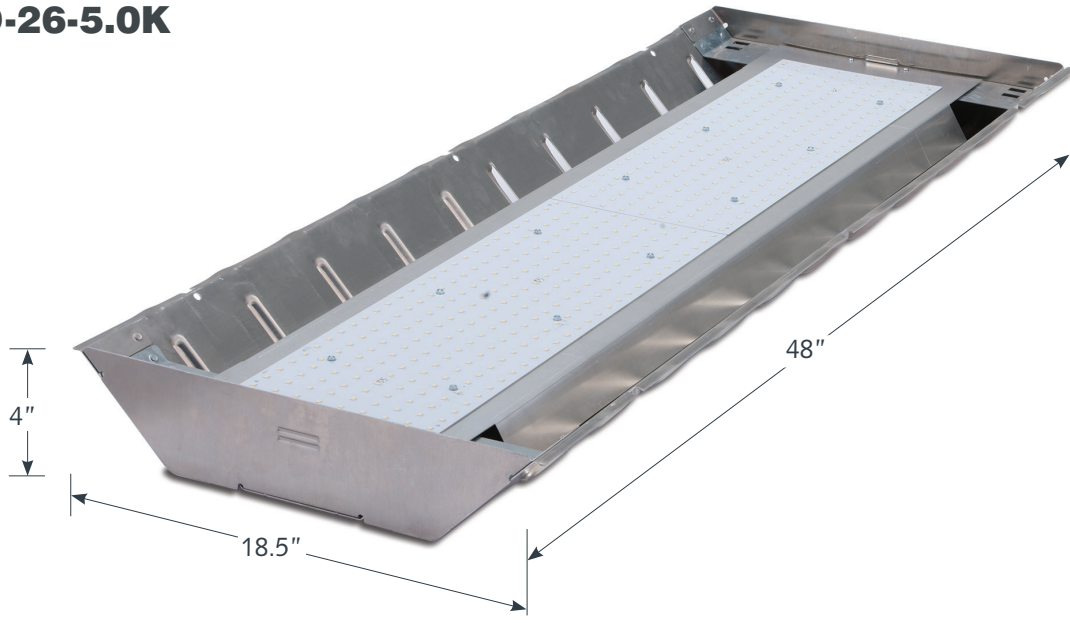
To be installed by a qualified electrician only in accordance with the applicable installation code by a person familiar with the construction and operation of the product and the hazards involved.

##### FIXTURE WARRANTY

Alimalight warranty fixtures to be free from defects in material and workmanship under normal use and service for a period of five (5) years from date of shipment. If found to be defective by us, we will replace the non-performing parts.

## INSTALLATION INSTRUCTIONS

### AL-LED-26-5.0K



#### TO BE AFFIXED TO LUMINAIRE

Manufactured by AlumaLight LLC • Madison Heights, MI

Manufacturers Number: **AL-LED-26-5.0K**

#### DRY LOCATIONS ONLY

TO BE INSTALLED BY A QUALIFIED ELECTRICIAN ONLY IN ACCORDANCE WITH THE APPLICABLE INSTALLATION CODE BY A PERSON FAMILIAR WITH THE CONSTRUCTION AND OPERATION OF THE PRODUCT AND THE HAZARDS INVOLVED IN ACCORDANCE WITH THE FULL UL 1598 STANDARD AND THE FOLLOWING:

#### CLASS 1 WIRING ONLY

##### ELECTRICAL RATINGS:

Unless otherwise indicated, input voltage and frequency based on transformer and/or drivers employed, with input current and/or wattage based on transformer or sum of drivers employed.

**90-305 V, 50/60 HZ, 1.3 MAX A**

#### INSTALLATION INSTRUCTIONS

##### DRY LOCATIONS ONLY:

To be installed by a qualified electrician only in accordance with the applicable installation code by a person familiar with the construction and operation of the product and the hazards involved.

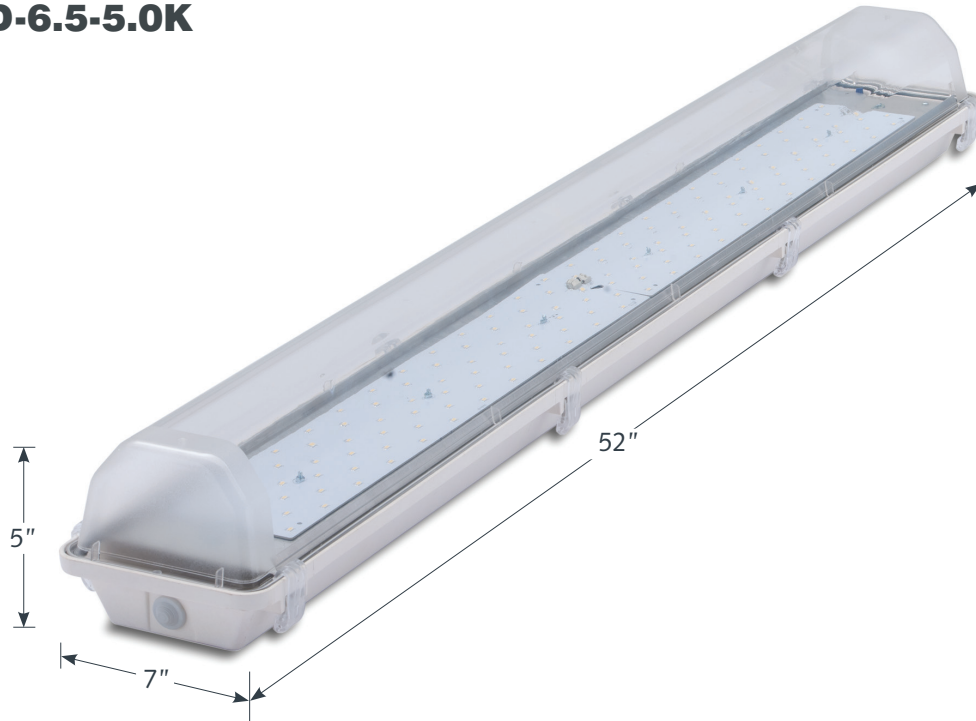
#### FIXTURE WARRANTY

Alumalight warranty fixtures to be free from defects in material and workmanship under normal use and service for a period of five (5) years from date of shipment. If found to be defective by us, we will replace the non-performing parts.



## INSTALLATION INSTRUCTIONS

VT1-4-LED-6.5-5.0K



### TO BE AFFIXED TO LUMINAIRE

Manufactured by Alupalight LLC • Madison Heights, MI

Manufacturers Number: **VT1-4-LED-6.5-5.0K**

### SUITABLE FOR WET OR DRY LOCATIONS

TO BE INSTALLED BY A QUALIFIED ELECTRICIAN ONLY IN ACCORDANCE WITH THE APPLICABLE INSTALLATION CODE BY A PERSON FAMILIAR WITH THE CONSTRUCTION AND OPERATION OF THE PRODUCT AND THE HAZARDS INVOLVED IN ACCORDANCE WITH THE FULL UL 1598 STANDARD AND THE FOLLOWING:

### CLASS 1 WIRING ONLY

#### ELECTRICAL RATINGS:

Unless otherwise indicated, input voltage and frequency based on transformer and/or drivers employed, with input current and/or wattage based on transformer or sum of drivers employed.

**90-305 V, 50/60 HZ, 1.3 MAX A**

### INSTALLATION INSTRUCTIONS

#### SUITABLE FOR WET OR DRY LOCATIONS

To be installed by a qualified electrician only in accordance with the applicable installation code by a person familiar with the construction and operation of the product and the hazards involved.

#### FIXTURE WARRANTY

Alupalight warranty fixtures to be free from defects in material and workmanship under normal use and service for a period of five (5) years from date of shipment. If found to be defective by us, we will replace the non-performing parts.

